


# AM-2000 PLUS Surgical Microscope

5 Steps Magnification	
Objective Lens	Large working distance: 198-455mm;
Pendulum Rotation Device	This function allows the doctor to maintain an upright viewing posture by changing the orientation of the optic pod without changing the direction of the binocular head. It allows doctor to adjust the microscope angle from left or right by 23°, which is convenient to observe the tooth area. The lens length is greatly improved compared with external pendulum rotation device. Effectively reduce the optical length and the risk of optical cutting, improve the optical quality;
Integrated Depth of Field strengthen device	It is very simple and convenient to switch the size of aperture with turning the knob. With 1.6x step magnification, the depth of field can be increased by more than 50%, and the smaller magnification step, the better effective of the depth of field strengthen; Low depth of field can be increased by more than 1 times. Integrated design without additional lens length

## Main Specification

Specification	AM 2000 PLUS
Magnification	Manual 5 steps magnification, 0.4, 0.6, 1.0, 1.6, 2.5, magnification range: 1.7x-19x
Objective Lens	198-455mm Variable objective lens
Eyepiece	12.5x/18B, Diopter adjustment range: +7D; 10x/21B, diopter adjustment range: -8D~+6D for option
Binocular	180° Inclined binocular head, f=170mm, interpupillary distance adjustment range: 50~75mm
Pendulum Rotation Device	Standard, ±23°
Integrated Depth of Field Strengthen Device	Integrated depth of field strengthen mode
Object Illumination(x)	Max>80000 lux
LED Illumination Mode	Color temperature 5500k, color rendering index 85% Orange filter, green filter, large/medium/small spot
Electrical System	12V DC power supply
Built-In Camera	Built-in 4k camera system
Weight	85KG (with mobile floor stand)

## Built-in 4K Camera

Sensor	1/1.8 Inch Sony high-sensitivity and low-noise CMOS
Output Interface	HDMI, USB2.0
Resolution	4K 3840x2160(16:9)
Storage	External U disk can be connected Picture: JPG format; Video: MP4 format
Beam Splitter	2:8
Video Resolution	1080P
Picture Resolution	8M(3840×2160)
Basic Function	Freeze, photograph, video recording, automatic exposure, white balance, play back and cross line
Image Effect	Exposure, AE light, gain, red gain, blue gain, saturation, contrast, sharpness, HDR, detail, BLC
System Settings	Flip horizontally, flip vertical, show/ hide logo, language, save/ do not element, system update, restore default, version

## Optical parameters

Objective Lens	F= 198-455mm					
	F= 198mm		F= 300mm		F= 455mm	
Magnification Charge	Total Magnification	Field of View(mm)	Total Magnification	Field of View(mm)	Total Magnification	Field of View(mm)
0.4	3.0x	71.8	2.3x	96.1	1.7x	132.0
0.6	4.6x	47.9	3.4x	64.1	2.5x	88.0
1	7.6x	28.7	5.7x	38.5	4.1x	52.8
1.6	12.2x	18.0	9.1x	24.0	6.6x	33.0
2.5	19.0x	11.5	14.2x	15.4	10.4x	21.1



# AM-2000 plus

## Series Dental Microscope

★ Surpasses the imagination

**Lenscan**  
MEDICAL

Canadian Exclusive Distributor

Lenscan Medical Inc.  
490 Dutton Dr. Unit C2  
Waterloo, ON, N2L 6H7  
Email: info@lenscan.ca  
Tollfree: 1-866-850-6768

Tel: 519-279-1188 <https://lenscan.com>

**ALLTION**®





## ALLTION AM-2000 Plus

### Surpasses the imagination

- ★ The upgraded C-type connecting arm, customized specifically for dentistry, provides the doctor with more operating space and a new dental surgical experience.
- ★ Integrated pendulum system (FORA) with a 90° binocular extender enables the doctor to maintain an upright viewing posture by changing the orientation of the optic pod without changing the direction of the binocular head.
- ★ With a large 198-455mm variable objective lens, AM-2000 Plus provides a wide field of view and high magnification. The doctor can adjust the variable objective for a clear and detailed view.
- ★ Built-in 4K camera system provides high-definition images and video transmission. Doctors can observe surgical procedures in real time and easily share and discuss them with team members. This function also records the details of the surgery, making it easier for doctors to conduct post-operative reviews and academic exchanges, and enhancing doctor-patient communication.

## Healthy Working Posture

Integrated flexible optics rotating assembly (FORA)



- Features:** It includes integrated 90° binocular extender, pendulum rotation device. The optical pod can be swung left or right by 23°.
- Advantages:** FORA allows doctor to remain his natural and straight posture while he is observing the patient with a certain angle. The doctor can change the direction of the optical pod only, while keeping the binocular at its position.
- Value:** This design not only improves the efficiency and accuracy of the surgery, but also reduces the doctor's fatigue and guards his occupational health.



- Features:** Lengthen the horizontal distance of the eye point to increase the operating space
- Advantages:** Integrated 90° binocular extender allows the doctor to maintain an upright posture during the surgery, reducing the burden on the back, neck and shoulder.





### Integrated Flexible Optics Rotating Assembly (FORA)

Pendulum function by FORA is available, no need to adjust the position of the eyepieces



### Comfortable Handle

With one-handed operation, easy to adjust the focus, photo and video functions.



### Swing Design

Swing design allows for different work angles. Front swing angle 35° Rear swing angle 45°



### Built-in 4K Camera System

Provides ultra-high-definition photography and video capabilities with superior image quality

- 1 Interpupillary distance adjust device
- 2 0-180° Inclined binocular
- 3 5 Steps manual magnification
- 4 Photo and video recording knob
- 5 198-455mm Variable objective lens
- 6 Pendulum function knob
- 7 Light switch knob
- 8 Light spot switch knob



## Built-in 4K Camera System Ergonomic and various design for recording image and video

**Features:** Built-in 4K camera system with high-definition and high-quality camera function. Equipped with an advanced CMOS sensor and image processing technology, it delivers clear, detailed video results.

**Advantages:** To provide clearer and more detailed microscopic images, the doctor can view the surgical area through the microscope and more accurately manipulate and make judgments

**Value:** Not only can you do real-time recording, but also support taking pictures and displaying back, storage and other functions. Doctors can easily capture and video playback for case discussion, training and patient communication, training and patient communication.



3 Types of photography and video recording





## Single-hand Operation

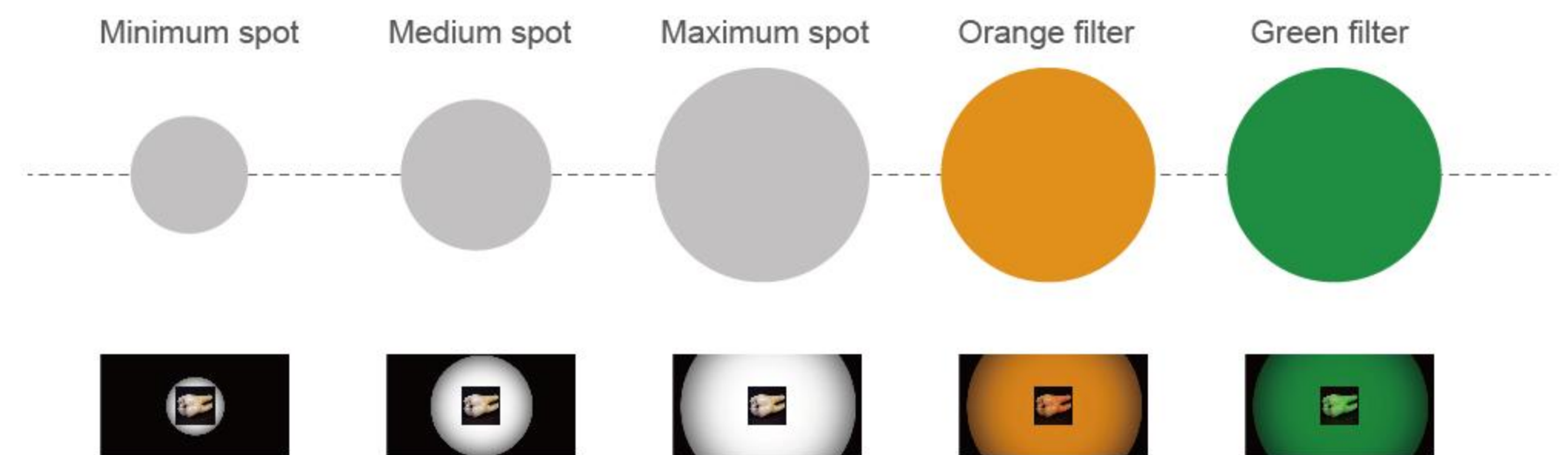
Without leaving your perfect working position, your thumb can control several function buttons such as freeze button, photo and video button and objective lens, which is very convenient and simple.



## Illumination Mode

With 198-455mm variable objective lens, the illuminance can reach over 80,000lux Color Rendering Index (CRI)  $\geq$  85%, the illumination color temperature is 5500K, and five illumination modes can be selected.

### 5 Types of illumination modes







## Rotating Optical Pod

Free rotation of the optical pod to meet the needs of the doctor for different angles during surgery.

Rotates 150° on the left

Rotates 180° on the right



## 198-455mm Variable Objective Lens

Supper wide working distance:198-455mm, suitable for doctors of different height.

Objective lens 250mm/ 300mm/ 400mm for options.

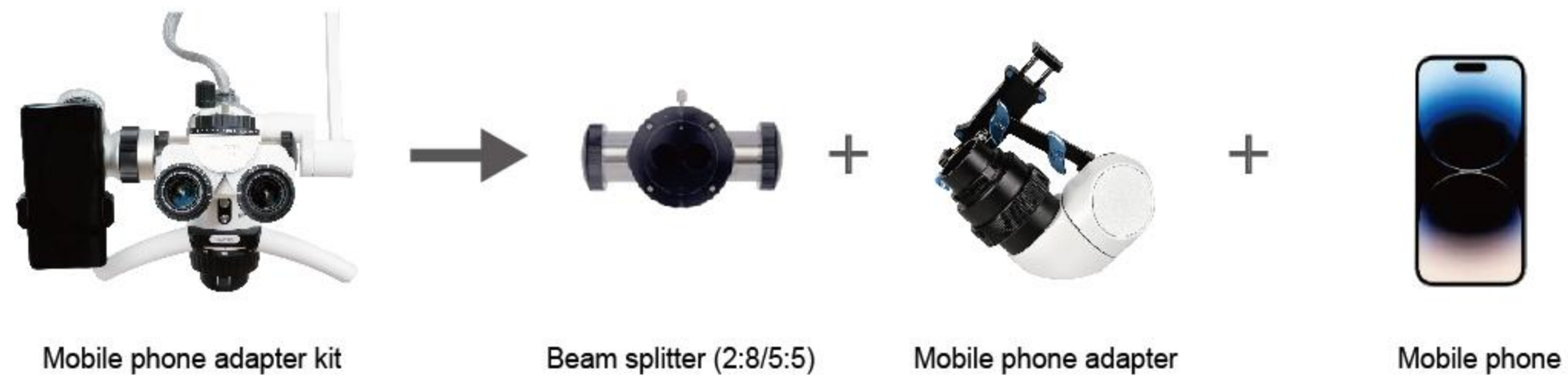
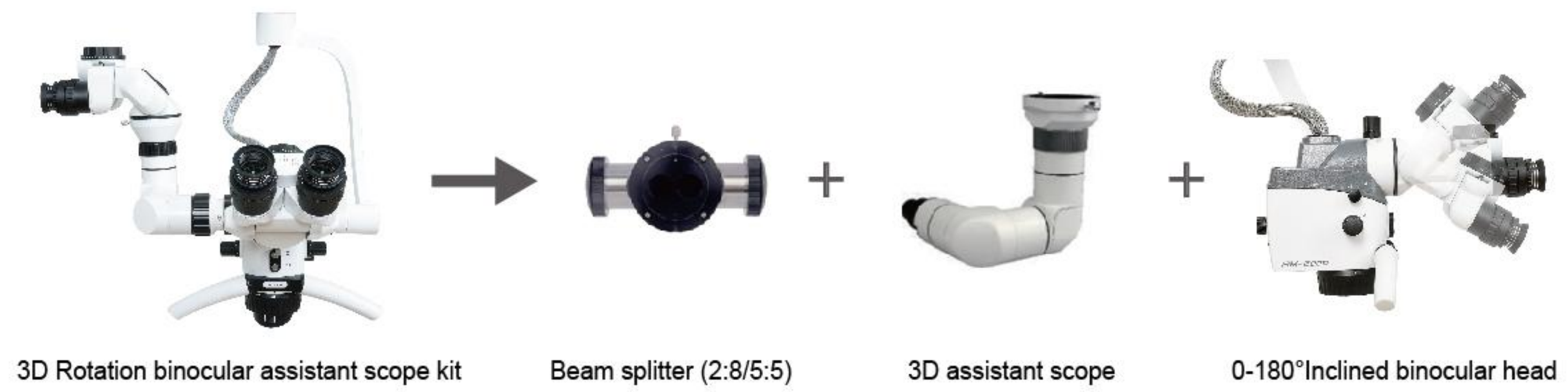
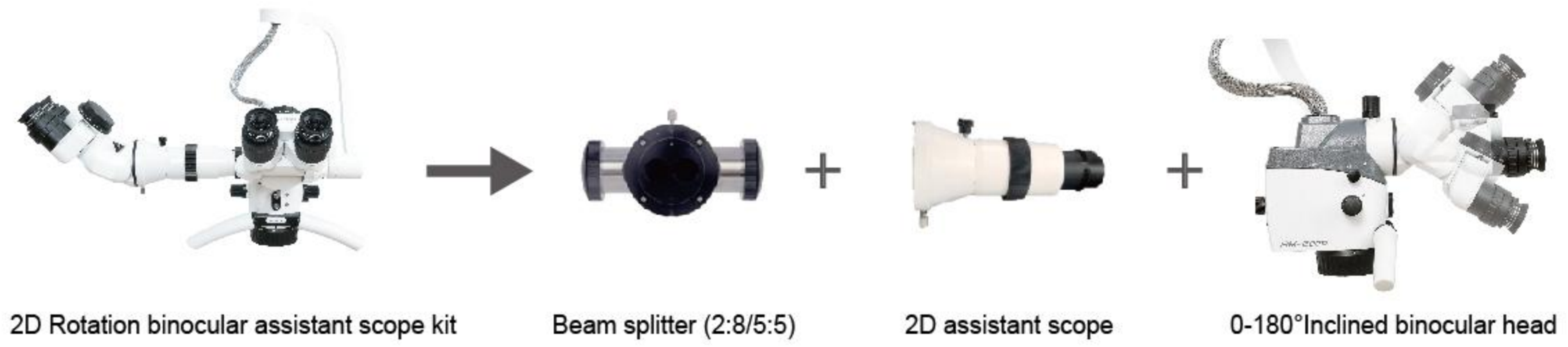


## Integrated Depth of Field Strengthen Device

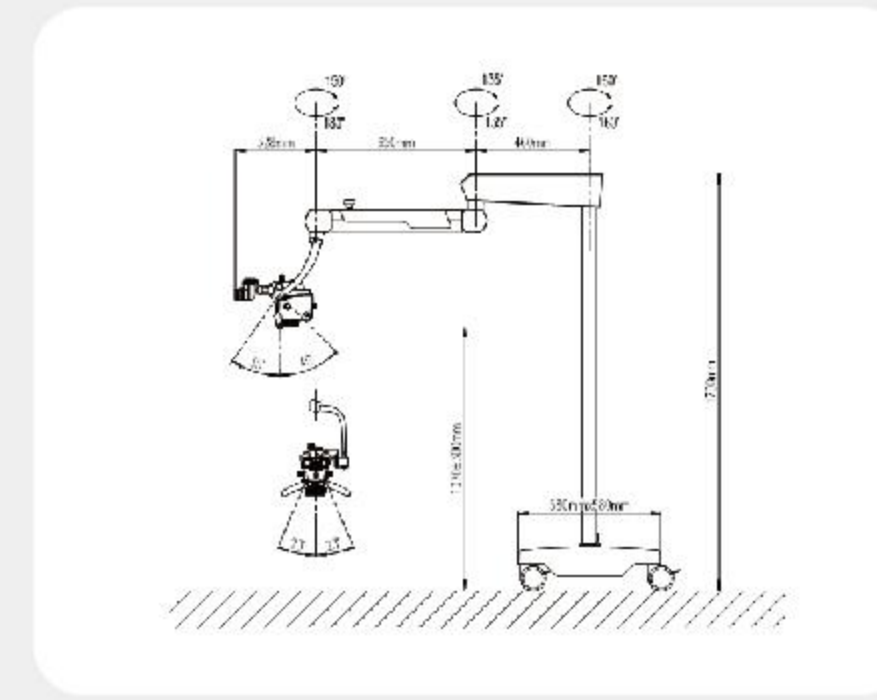
Alltion microscope adopts a special perspective system to enhance the effect of depth of field, which facilitates the doctor to observe the details of different depths more clearly during the operation and improves the accuracy and safety of the operation.



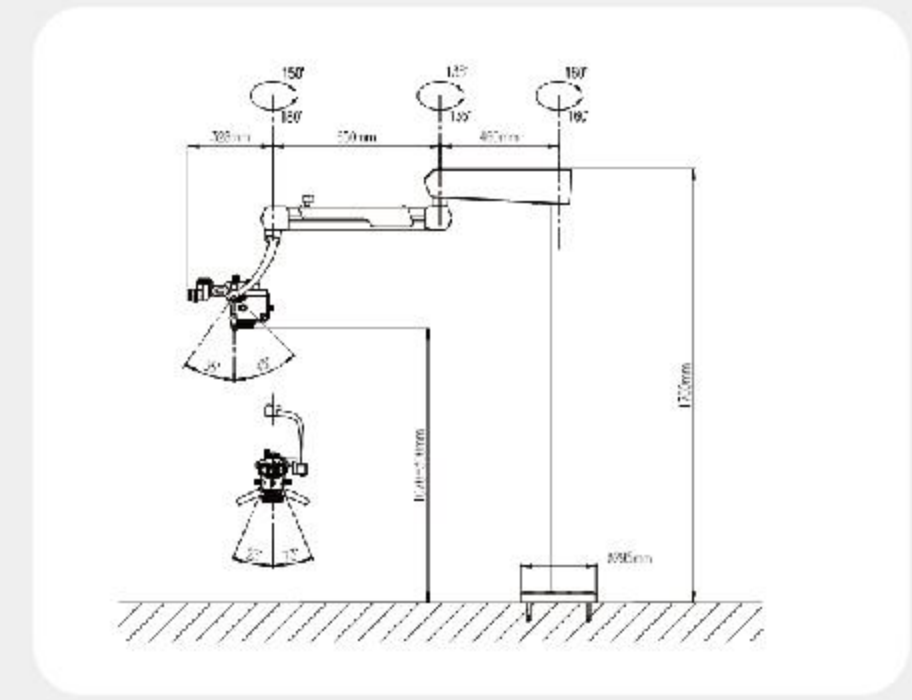
## Optional Outfits



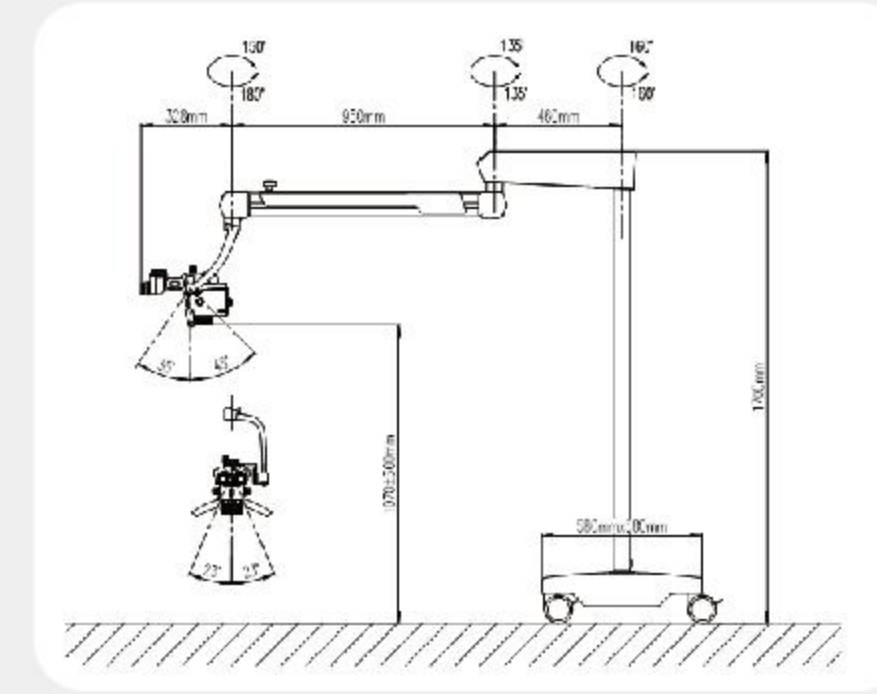
## Support System



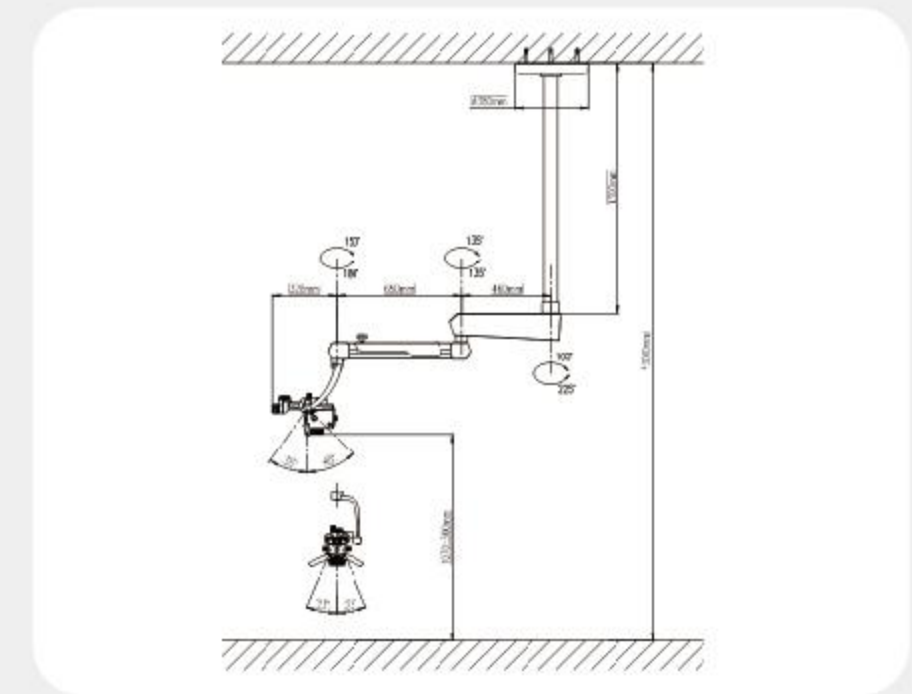
Floor stand



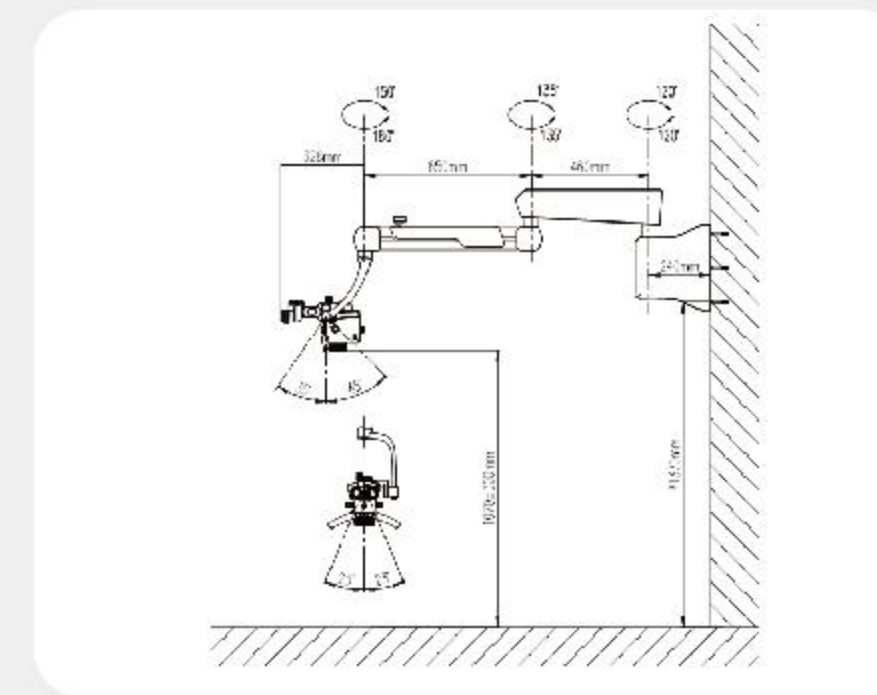
Fixed floor stand



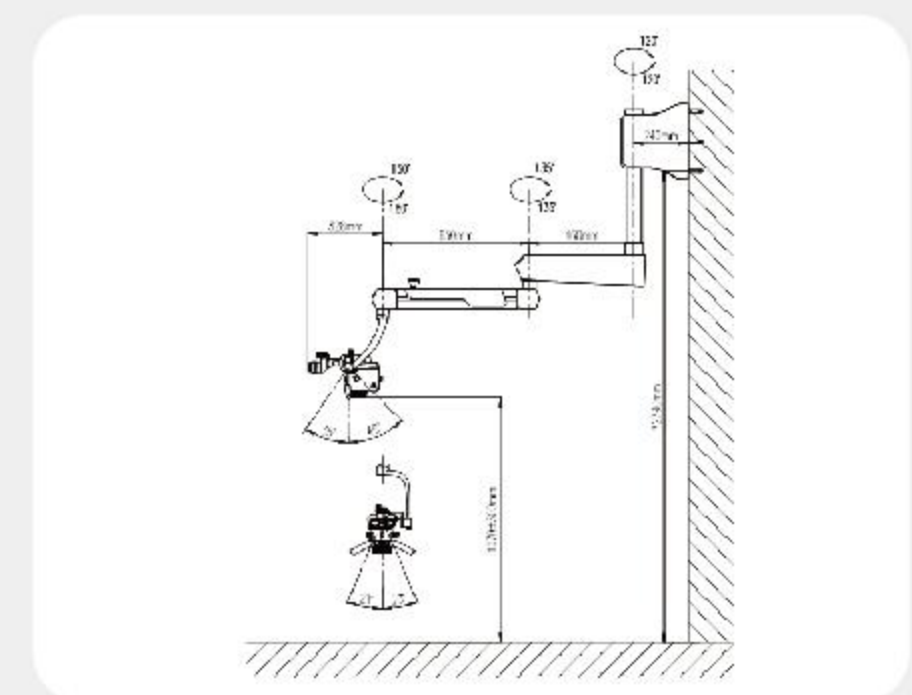
Floor stand with 950 pantograph arm



Ceiling mount



Low position wall mount



High position wall mount